

# DENTAPEN®

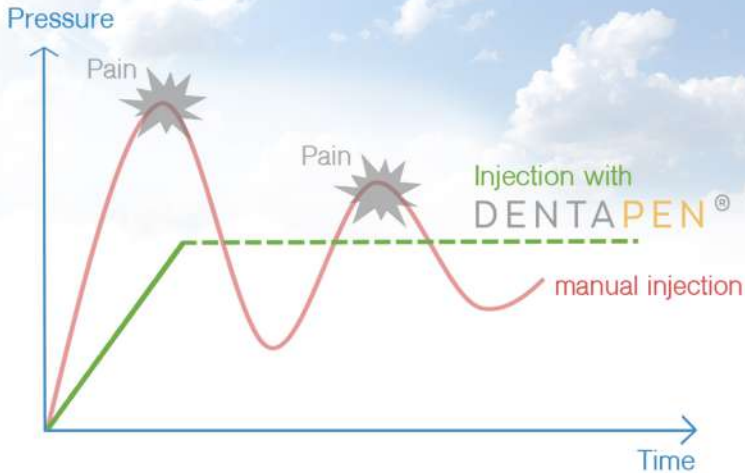


DENTAL ANESTHESIA  
Painless Effortless Cordless

# FOR YOUR PATIENTS

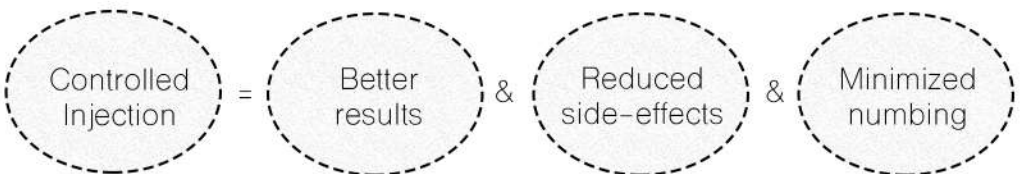
“The number 1 criteria in choosing a dentist is:  
A dentist who can provide painless anesthesia.”

*How dentists are judged by patients, St Georges J, Dent Today, 2004.*



“The results of this review indicate that using C-CLAD  
resulted in less pain and more effective anesthesia.»

*Computer-controlled local anesthetic delivery for painless anesthesia: a literature review,  
Eun-Jung Kwak, Nan-sim Pang, Jin-Hyung Cjo, Bock Young Jung, Kee-Deog Kim and Wonse Park  
Dental Anesth Pain Med. 2016 Jun; 16(2):81-88.*



# DENTAPEN®

ROTATING BARREL  
for easy bevel placement



BATTERY x  
up to 100 patients

2-YEARS WARRANTY

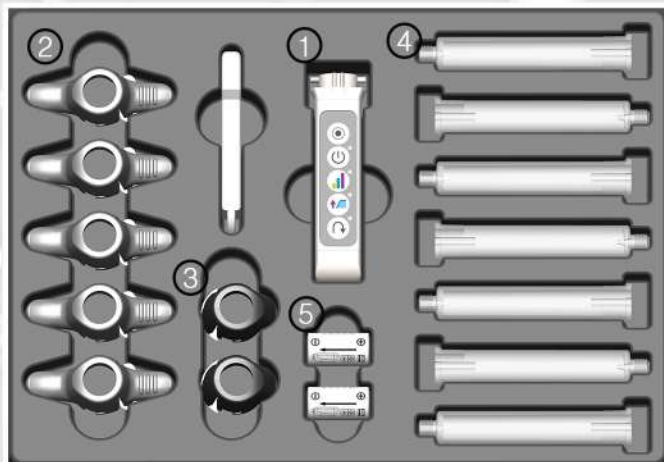
AUTOCLAVABLE  
low operating costs

## Complete Dentapen® Kit:

	Ref.
Metric hub .....	DK01.2/M
Imperial hub .....	DK01.2/ I

## Optional:

Protective sleeve x 250 .....	PS01
-------------------------------	------



- ① Dentapen® x1
- ② Finger grip x5
- ③ Finger grips for nerve block x2
- ④ Cartridge holders 1.7ml metric or imperial hub x7
- ⑤ Battery x3

Includes:  
25 protective sleeves

# Designed for EFFICIENCY



Autoclavable accessories

Universal: all techniques, metric & imperial needles

Two-way activation : index or thumb activation for more comfort

Battery powered

Compact and light (50g. with battery)

Rotating barrel for easy bevel placement

## Easy Set-up



Power On/Off  
Battery charge level

☀ full capacity      🌞 20%      🔴 10%



☀ Slow 90 s/mL  
🌞 Medium 60 s/mL  
🔴 Fast 30 s/mL



🔴 Intraligamentary mode  
🌞 Ramp-up mode = anesthesia flow increases gradually for totally painless procedure



Active aspiration  
Rewind back to initial position

# FOR YOU

## Cutting-edge C-CLAD\* technology for advanced dental anesthesia

- ✓ Controlled initial force and constant flow for smoother injections:
  - Increased anesthesia success rate
  - Saves time and stress
- ✓ Computerized pressure feedback sensor:
  - Adjusts the injection speed depending on pressure of the tissue.
- ✓ Other benefits :
  - Allows challenging injections
  - Performs aspirations for a safe procedure
  - Decreases risk of work related injuries: tendinitis, arthritis...



LESS

MORE



PAIN



FEAR



NUMBING



CHILDREN  
FRIENDLY



SATISFIED  
PATIENTS



REFERRAL

\*computer-controlled local anesthesia device





[www.dentapen.ch](http://www.dentapen.ch)



@dentapen\_injector



Juvaplus



Juvaplus

J U V A +

I N J E C T I O N   S Y S T E M S

Designed and manufactured in Neuchatel - Switzerland  
Sales: Av. de Miremont, 12 - 1206 Geneve - Switzerland  
[info@dentapen.ch](mailto:info@dentapen.ch) - Tel. +41 22 588 66 89